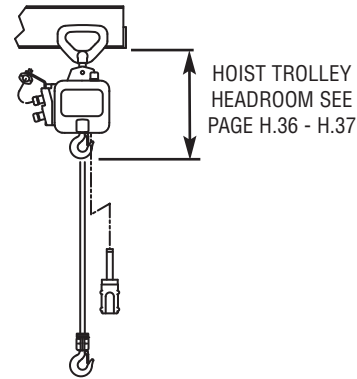
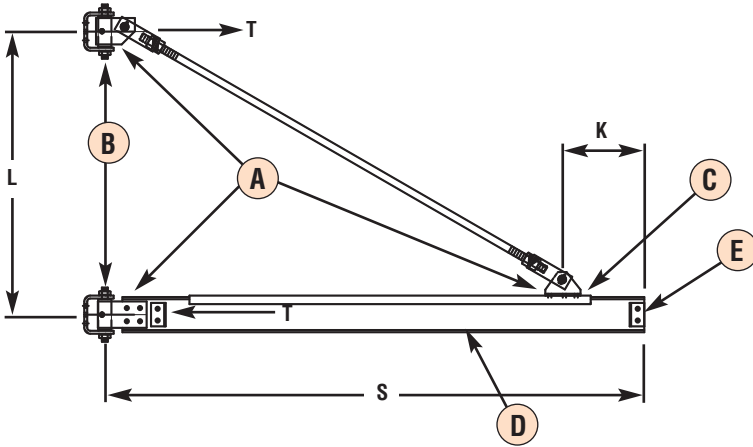


Tension & Cantilevered Jib Cranes

Model D180 - Tension Braced

This crane puts the economy back into this column mounted unit. This inexpensive jib crane provides a fast and easy to install solution to a localized material handling problem. Our unique design follows the same engineering criteria as all of our quality products. Easy to install fittings simply bolt to the column and beam. This "friction free" 180° rotating crane can also be pushed out of the way when not in use.



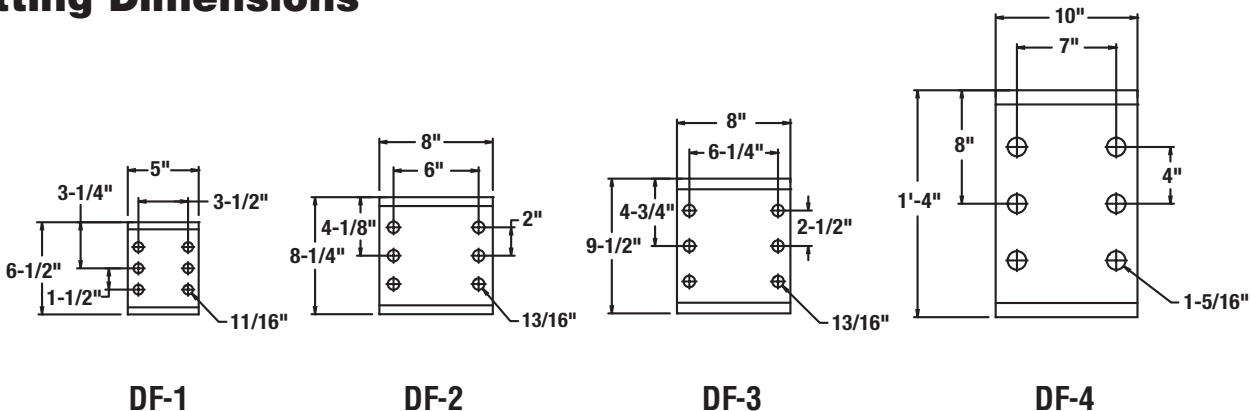
PRODUCT FEATURES:

- A** Fittings are heavy duty steel weldments, jig welded to insure proper bearing alignment.
- B** Axles are Grade 8 bolts with lock washers and nuts. Lubricated bronze shoulders bushings are used.
- C** Fitting is bolted to top flange of beam, which allows for single location "leveling down" of the beam if an adjustment is required.
- D** American Standard Wide Flange beams, selected to properly handle all imposed forces and loads.
- E** End stops provide a positive hoist / trolley stop allowing for the maximum in trolley travel.



Fitting Kits - To be used to build complete cranes in accordance with the information provided on page H.33. Kits include: 3 fittings and assembly instructions. Tension rod available upon request.

Fitting Dimensions



Tension & Cantilevered Jib Cranes

Model D180 - Tension Braced

SPECIFICATIONS

- * The total of hoist and trolley not to exceed 15% of rated capacity.
- ** This dimension must be held exactly.
- ◆ Thrust and Pull **MUST** be reviewed and approved prior to crane installation.
- C - Beam has additional strengthening cap.

Capacity* (tons)	Model Number	S Span (ft.)	Fitting Number	Boom Height (in.)	Flange Width (in.)	K (in.)	L**	T - Thrust & Pull (lbs.)◆	Unit Weight (lbs.)
1/2	D180-1/2-8	8	DF-1	6-1/4	4	15	2'9"	3930	205
	D180-1/2-10	10		6-1/4	4	18	3'	4550	240
	D180-1/2-12	12		6-1/4	4	21	3'9"	4400	275
	D180-1/2-14	14		6-1/4	4	24	4'6"	4325	312
	D180-1/2-16	16		6-1/4	4	24	5'6"	4075	347
	D180-1/2-18	18		8-1/4	5-1/4	24	6'	4320	433
	D180-1/2-20	20		8-1/4	5-1/4	27	6'6"	4565	540
	D180-1/2-22	22		8-1/4	5-1/4	27	7'	5060	842
	D180-1/2-24	24		8-1/4	5-1/4	30	7'6"	5315	913
	D180-1/2-26	26		10-3/8	5-3/4	30	8'	5795	1168
	D180-1/2-28	28		10-3/8	5-3/4	36	9'	5650	1251
D180-1/2-30	30	12-1/2	6-1/2	42	10'	6020	1641		
1	D180-1-8	8	DF-1	6-1/4	4	15	2'9"	7710	205
	D180-1-10	10		6-1/4	4	18	3'	8885	240
	D180-1-12	12		6-1/4	4	21	3'9"	8560	275
	D180-1-14	14		8-1/4	5-1/4	24	4'6"	8425	352
	D180-1-16	16		8-1/4	5-1/4	27	5'6"	7920	395
	D180-1-18	18		8-1/4	5-1/4	30	6'	8295	495
	D180-1-20	20		10-3/8	5-3/4	30	6'6"	8650	683
	D180-1-22	22		10-3/8	5-3/4	33	7'	9450	1004
	D180-1-24	24		10-3/8	5-3/4	33	7'6"	9740	1089
	D180-1-26	26		10-3/8	5-3/4	36	8'	10010	1168
	D180-1-28	28		12-1/2	6-1/2	42	9'	10145	1548
D180-1-30	30	12-1/2	6-1/2	42	10'	9920	1641		
2	D180-2-8	8	DF-2	8-1/4	5-1/4	15	2'9"	15345	363
	D180-2-10	10		8-1/4	5-1/4	18	3'	17640	420
	D180-2-12	12		8-1/4	5-1/4	21	3'9"	16990	480
	D180-2-14	14		8-1/4	5-1/4	24	4'6"	16580	536
	D180-2-16	16		10-3/4	5-3/4	27	5'6"	15720	706
	D180-2-18	18		10-3/4	5-3/4	27	6'	16290	780
	D180-2-20	20		12-1/2	6-1/2	30	6'6"	16980	985
	D180-2-22	22		12-1/2	6-1/2	30	7'	17970	1405
	D180-2-24	24		12-1/2	6-1/2	36	7'6"	18450	1520
	D180-2-26	26		12-1/2	6-1/2	42	8'	18890	1635
	D180-2-28	28		12-1/2-C	6-1/2	42	9'	18230	1745
	D180-2-30	30		12-1/2-C	6-1/2	36	10'	17720	1880
	3	D180-3-8		8	DF-3	8-1/4	5-1/4	15	2'9"
D180-3-10		10	8-1/4	5-1/4		18	3'3"	24285	445
D180-3-12		12	10-3/8	5-3/4		21	4'	23855	585
D180-3-14		14	10-3/8	5-3/4		24	4'9"	23515	655
D180-3-16		16	10-3/8	5-3/4		27	5'6"	23280	720
D180-3-18		18	12-1/2	6-1/2		27	6'3"	23290	905
D180-3-20		20	12-1/2	6-1/2		30	7'	23630	1295
D180-3-22		22	12-1/2	6-1/2		30	7'9"	23610	1405
D180-3-24		24	12-1/2 - C	6-1/2		36	8'6"	23620	1520
D180-3-26		26	12-1/2 - C	6-1/2		36	9'3"	23645	1895
D180-3-28		28	12-1/2 - C	6-1/2		36	10'	23690	2020
D180-3-30	30	12-1/2 - C	6-1/2	36	11'	23200	2140		
5	D180-5-8	8	DF-4	12-1/2	5-1/4	18	3'	35005	705
	D180-5-10	10		12-1/2	5-1/4	18	3'3"	40490	785
	D180-5-12	12		12-1/2	5-3/4	21	4'	39575	865
	D180-5-14	14		12-1/2	5-3/4	24	4'9"	38970	945
	D180-5-16	16		16-1/8	5-3/4	30	5'6"	38815	1205
	D180-5-18	18		16-1/8	6-1/2	36	6'3"	38550	1310
	D180-5-20	20		16-1/8	6-1/2	42	7'	38805	1680
	D180-5-22	22		16-1/8-C	6-1/2	42	7'9"	38720	1810
	D180-5-24	24		16-1/8-C	6-1/2	42	8'6"	38675	1940
	D180-5-26	26		16-1/8-C	6-1/2	42	9'3"	38665	2070
	D180-5-28	28		16-1/8-C	6-1/2	42	10'	38680	2615
	D180-5-30	30		16-1/8-C	6-1/2	42	11'	38835	2760