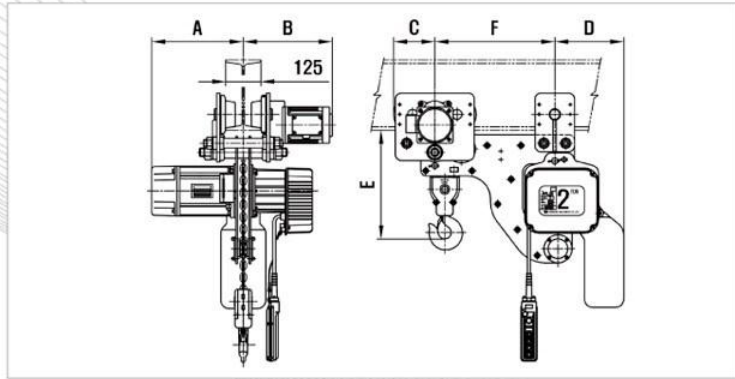


LOW HEAD TYPE



Specification & Dimensions

STANDARD

Frame	Model	Capacity (KG)	Hoisting Motor-Single				Hoisting Motor-Dual				Traversing Motor				Load Chain (mm* Falls)	Net Weight (kgs)	I-Beam Width (mm)	Min. Radius For Curve (mm)	Dimension								
			Power(kw)		Speed(m/min)		Power(kw)		Speed(m/min)		Power(kw)		Speed(m/min)						Single			Dual					
			50Hz	60Hz	50Hz	60Hz	50Hz	60Hz	50Hz	60Hz	50Hz	60Hz	50Hz	60Hz					A	B	C	D	E	F	A		
B	SML-S(D)1000	1000	1.25*4P	1.5*4P	5.8	7	1.25/0.63*4/8P	1.5/0.75*4/8P	5.8/2.9	7.0/3.5	0.33*4P	0.4*4P	16.7	20	Ø7.1x1	105	75~125	∞	295	313	118	245	310	425	325		
			1.25*4P	1.5*4P	6.4	7.7	1.25/0.63*4/8P	1.5/0.75*4/8P	6.4/3.2	7.7/3.9	0.33*4P	0.4*4P	16.7	20	Ø7.1x1	105											
	SML-S(D)1250	1250	1.7*4P	2.0*4P	5.8	7	1.7/0.85*4/8P	2.0/1.0*4/8P	5.8/2.9	7.0/3.5	0.33*4P	0.4*4P	16.7	20	Ø7.1x1	105			100~150	∞	295	313	118	245	310	425	325
			1.7*4P	2.0*4P	6.4	7.7	1.7/0.85*4/8P	2.0/1.0*4/8P	6.4/3.2	7.7/3.9	0.33*4P	0.4*4P	16.7	20	Ø7.1x1	105											
	SML-S(D)1500	1500	2.1*4P	2.5*4P	6.7	8	2.1/1.05*4/8P	2.5/1.25*4/8P	6.7/3.3	8.0/4.0	0.33*4P	0.4*4P	15.8	19	Ø8.0x1	115			100~150	∞	325	317	140	245	340	425	355
			2.1*4P	2.5*4P	7.3	8.8	2.1/1.05*4/8P	2.5/1.25*4/8P	7.3/3.7	8.8/4.4	0.33*4P	0.4*4P	15.8	19	Ø8.0x1	115											
	SML-S(D)1800	1800	1.25*4P	1.5*4P	2.9	3.5	1.25/0.63*4/8P	1.5/0.75*4/8P	2.9/1.5	3.5/1.8	0.33*4P	0.4*4P	15.8	19	Ø7.1x2	115			100~150	∞	295	317	140	245	385	425	325
			1.25*4P	1.5*4P	2.9	3.5	1.25/0.63*4/8P	1.5/0.75*4/8P	2.9/1.5	3.5/1.8	0.33*4P	0.4*4P	15.8	19	Ø7.1x2	115											
	SML-S(D)2000	2000	1.7*4P	2.0*4P	2.9	3.5	1.7/0.85*4/8P	2.0/1.0*4/8P	2.9/1.5	3.5/1.8	0.33*4P	0.4*4P	15.8	19	Ø7.1x2	115			100~150	∞	295	317	140	245	385	425	325
			1.7*4P	2.0*4P	2.9	3.5	1.7/0.85*4/8P	2.0/1.0*4/8P	2.9/1.5	3.5/1.8	0.33*4P	0.4*4P	15.8	19	Ø7.1x2	115											
SML-S(D)2500	2500	2.1*4P	2.5*4P	3.2	3.9	2.1/1.05*4/8P	2.5/1.25*4/8P	3.2/1.6	3.9/2.0	0.33*4P	0.4*4P	15.8	19	Ø7.1x2	115	100~150	∞	325	317	140	245	455	425	355			
		2.1*4P	2.5*4P	3.3	4	2.1/1.05*4/8P	2.5/1.25*4/8P	3.3/1.7	4.0/2.0	0.33*4P	0.4*4P	15.8	19	Ø8.0x2	120												
SML-S(D)3000	3000	2.1*4P	2.5*4P	3.7	4.4	2.1/1.05*4/8P	2.5/1.25*4/8P	3.7/1.8	4.4/2.2	0.33*4P	0.4*4P	15.8	19	Ø8.0x2	120	125~175	∞	325	317	140	245	455	425	355			
		2.1*4P	2.5*4P	3.7	4.4	2.1/1.05*4/8P	2.5/1.25*4/8P	3.7/1.8	4.4/2.2	0.33*4P	0.4*4P	15.8	19	Ø8.0x2	120												
C	SML-S(D)3000	3000	2.9*4P	3.5*4P	5	6	2.9/1.45*4/8P	3.5/1.75*4/8P	5.0/2.5	6.0/3.0	0.33*4P	0.4*4P	13.3	16	Ø11.2x1	175	125~175	∞	320	317	140	272	520	480	350		
			2.9*4P	3.5*4P	2.5	3	2.9/1.45*4/8P	3.5/1.75*4/8P	2.5/1.3	3.0/1.5	0.33*4P	0.4*4P	13.3	16	Ø11.2x2	275											
C	SML-S(D)5000	5000	2.9*4P	3.5*4P	2.5	3	2.9/1.45*4/8P	3.5/1.75*4/8P	2.5/1.3	3.0/1.5	0.33*4P	0.4*4P	13.3	16	Ø11.2x2	275	125~175	∞	320	334	180	272	735	555	350		
			2.9*4P	3.5*4P	2.5	3	2.9/1.45*4/8P	3.5/1.75*4/8P	2.5/1.3	3.0/1.5	0.33*4P	0.4*4P	13.3	16	Ø11.2x2	275											

SPECIAL TYPE

HIGH LIFTING TYPE



EXPLOSION PROOF

- 1TON SMT-EX1000
- 2TON SMT-EX2000
- 3TON SMT-EX3000



DOUBLE GIRDER TYPE

