



MUNCK CRANES INC.



MUNCK

Custom Lifting Attachments





MUNCK

MUNCK CRANES INC.



4 Tonne Capacity Lifting Attachment

Vinyl Extrusion Application

Under Hook Attachment

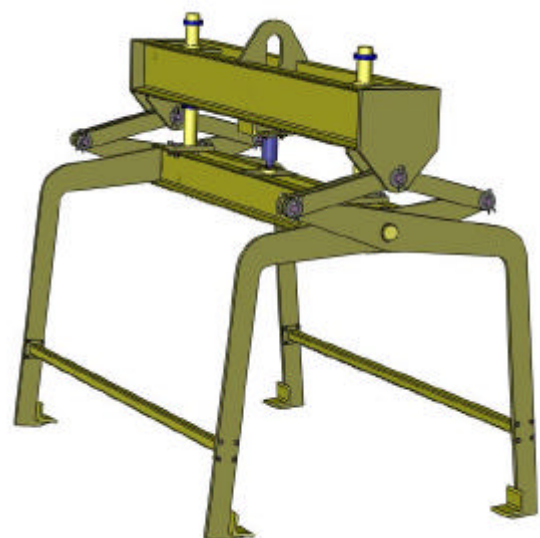
Picks up Baskets of
Extruded Vinyl Product



Mechanical Latch & Unlatch
Mechanism



SolidWorks 3D Designed & Modeled





MUNCK

MUNCK CRANES INC.



4 Tonne Capacity Lifting Attachment

Sawmill Application

Designed to Suit Different Lengths
of Bundled Wood Products

Fork Rotation to Required to
Maximize the Storage Space

180 Deg Fork Rotation
350 Deg Lower Frame Rotation



Reeved into a Trolley Hoist with 4
Ropes Paying off of the Drum

21 & 7 FPM Lifting Speed

Radio Remote Controlled

