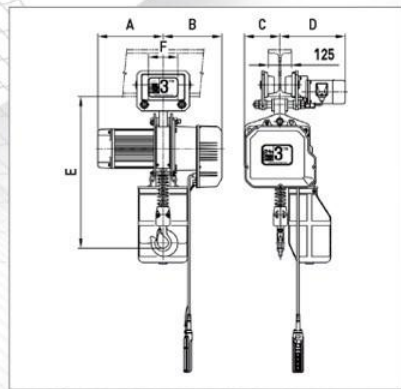


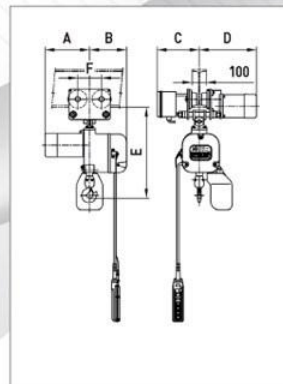
CHAIN HOIST

Motor Trolley Type

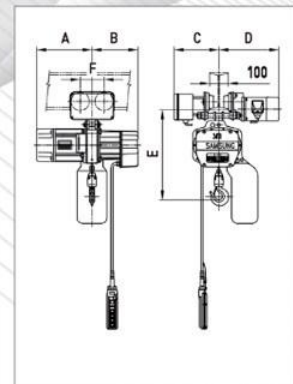
SM-SERISE CHAIN HOIST



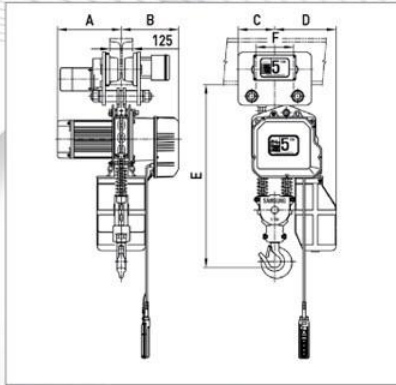
C-Frame 3000kg



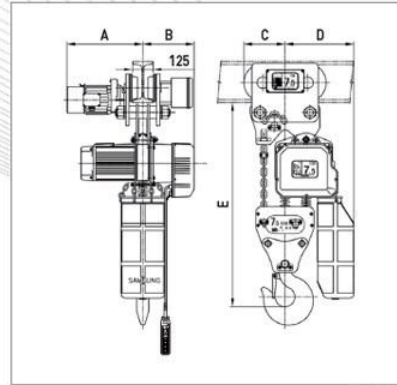
A-Frame 250~500kg



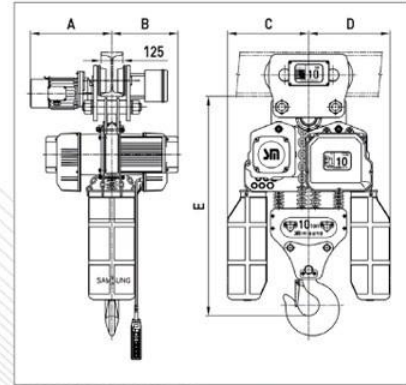
B-Frame 1000~3000kg[2falls]



C-Frame 5000kg



C-Frame 7500kg



C-Frame 10000kg

Specification & Dimensions

STANDARD

Frame	Model	Capacity (KG)	Hoisting Motor-Single				Hoisting Motor-Dual				Traversing Motor				Load Chain (mm* Falls)	Net Weight (kgs)	I-Beam Width (mm)	Min. Radius For Curve (mm)	Dimension							
			Power(kw)		Speed(m/min)		Power(kw)		Speed(m/min)		Power(kw)		Speed(m/min)						Single			Dual				
			50Hz	60Hz	50Hz	60Hz	50Hz	60Hz	50Hz	60Hz	50Hz	60Hz	50Hz	60Hz					A	B	C	D	E	A		
A	SMT-S250	250	0.21*8P	0.25*8P	3.5	4.2	-	-	-	-	0.33*4P	0.4*4P	16.7	20	Ø5x1	58	75~125	1200	245	238	240	320	490	-		
	SMT-S490	490	0.42*4P	0.5*4P	3.5	4.2	-	-	-	-	0.33*4P	0.4*4P	16.7	20	Ø5x2 Ø5x1	60			245	238	240	320	490	-		
	SMT-S500	500	0.92*4P	1.1*4P	7	8.4	-	-	-	-	0.33*4P	0.4*4P	16.7	20	Ø5x1	60			245	238	240	320	490	-		
B	SMT-S(D)500	500	1.25*4P	1.5*4P	9	10.8	1.25/0.63*4/8P	1.5/0.75*4/8P	9.0/4.5	10.8/5.4	0.33*4P	0.4*4P	16.7	20	Ø7.1x1	105	75~125	1200	295	245	240	320	500	325		
	SMT-S(D)1000	1000	1.25*4P	1.5*4P	5.8	7	1.25/0.63*4/8P	1.5/0.75*4/8P	5.8/2.9	7.0/3.5	0.33*4P	0.4*4P	16.7	20	Ø7.1x1	105			295	245	240	320	500	325		
		1000	1.25*4P	1.5*4P	6.4	7.7	1.25/0.63*4/8P	1.5/0.75*4/8P	6.4/3.2	7.7/3.9									295	245	240	320	500	325		
	SMT-S(D)1250	1250	1.7*4P	2.0*4P	5.8	7	1.7/0.85*4/8P	2.0/1.0*4/8P	5.8/2.9	7.0/3.5	0.33*4P	0.4*4P	16.7	20	Ø7.1x1	105			295	245	240	320	500	325		
		1250	1.7*4P	2.0*4P	6.4	7.7	1.7/0.85*4/8P	2.0/1.0*4/8P	6.4/3.2	7.7/3.9									295	245	240	320	500	325		
	SMT-S(D)1500	1500	2.1*4P	2.5*4P	6.7	8	2.1/1.05*4/8P	2.5/1.25*4/8P	6.7/3.3	8.0/4.0	0.33*4P	0.4*4P	15.8	19	Ø8.0x1	115			325	245	240	320	530	355		
		1500	2.1*4P	2.5*4P	7.3	8.8	2.1/1.05*4/8P	2.5/1.25*4/8P	7.3/3.7	8.8/4.4									295	245	240	320	580	325		
	SMT-S(D)1800	1800	1.25*4P	1.5*4P	2.9	3.5	1.25/0.63*4/8P	1.5/0.75*4/8P	2.9/1.5	3.5/1.8	0.33*4P	0.4*4P	15.8	19	Ø7.1x2	115			100~150	1500	295	245	240	320	580	325
		1800	1.25*4P	1.5*4P	2.9	3.5	1.25/0.63*4/8P	1.5/0.75*4/8P	2.9/1.5	3.5/1.8											295	245	240	320	580	325
	SMT-S(D)2000	2000	1.25*4P	1.5*4P	2.9	3.5	1.25/0.63*4/8P	1.5/0.75*4/8P	2.9/1.5	3.5/1.8	0.33*4P	0.4*4P	15.8	19	Ø7.1x2	115					295	245	240	320	580	325
		2000	1.7*4P	2.0*4P	2.9	3.5	1.7/0.85*4/8P	2.0/1.0*4/8P	2.9/1.5	3.5/1.8											295	245	240	320	580	325
	SMT-S(D)2500	2500	1.7*4P	2.0*4P	3.2	3.9	1.7/0.85*4/8P	2.0/1.0*4/8P	3.2/1.6	3.9/2.0	0.33*4P	0.4*4P	15.8	19	Ø7.1x2	115					325	245	240	320	650	355
2500		2.1*4P	2.5*4P	3.3	4	2.1/1.05*4/8P	2.5/1.25*4/8P	3.3/1.7	4.0/2.0	325							245	240			320	650	355			
SMT-S(D)3000	3000	2.1*4P	2.5*4P	3.7	4.4	2.1/1.05*4/8P	2.5/1.25*4/8P	3.7/1.8	4.4/2.2	0.33*4P	0.4*4P	15.8	19	Ø8.0x2	120	350	315	190			350	810	390			
	3000	2.9*4P	3.5*4P	5	6	2.9/1.45*4/8P	3.5/1.75*4/8P	5.0/2.5	6.0/3.0							350	315	200			350	1070	390			
C	SMT-S(D)3000	3000	2.9*4P	3.5*4P	5	6	2.9/1.45*4/8P	3.5/1.75*4/8P	5.0/2.5	6.0/3.0	0.33*4P	0.4*4P	13.3	16	Ø11.2x1	175	125~175	2000			350	315	200	350	1070	390
	SMT-S(D)5000	5000	2.9*4P	3.5*4P	2.5	3	2.9/1.45*4/8P	3.5/1.75*4/8P	2.5/1.3	3.0/1.5	0.33*4P	0.4*4P	13.3	16	Ø11.2x2	275	465	330			260	430	1280	-		
	SMT-S(D)7500	7500	2.9*4P	3.5*4P	1.7	2	2.9/1.45*4/8P	3.5/1.75*4/8P	1.7/0.8	2.0/1.0	0.4*6P	0.5*6P	10.8	13	Ø11.2x3	480	465	390			465	465	1280	-		
SMT-S(D)10000	10000	2.9*4P	3.5*4P	1.3	1.5	2.9/1.45*4/8P	3.5/1.75*4/8P	1.3/0.6	1.5/0.8	0.83*6P	1.0*6P	10.8	13	Ø11.2x4	640	465	390	465			465	1280	-			